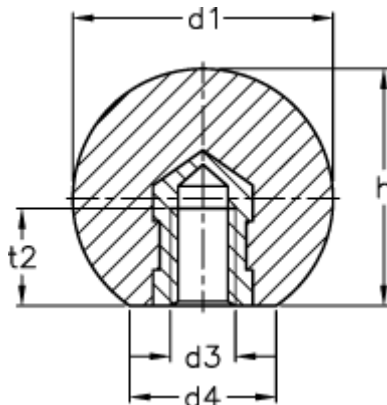


Article number: 20136442

Description: E+G Ball knob DIN 319-KT-32-M8-E

Measures



d1	= 32
d3	= M8
d4 approx.	= 18
h	= 29.0
t2 min.	= 12.0